

M16x2-piston design

Application:

Spradow test couplings are applied for the monitoring and control of pressure as well as the ventilation. The advantages of this system are – among other – connection at system pressure level, the easy connection to measurement control and switching devices, the leakproof connection and the integrated vibration security of the metal cap.

Media:

Spradow test couplings have been developed for hydraulic oils and mineral oil based fluids.

(Please check compatibility of seal material.)

Materials:

Metal parts: Steel, Stainless steel upon request

Seals: NBR (-20 °C to +100 °C)
 FKM (-20 °C to +200 °C)
 EPDM (-40 °C to +150 °C)

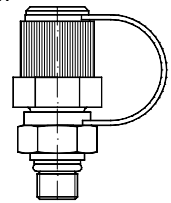
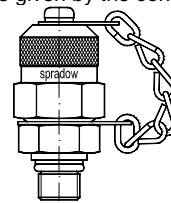
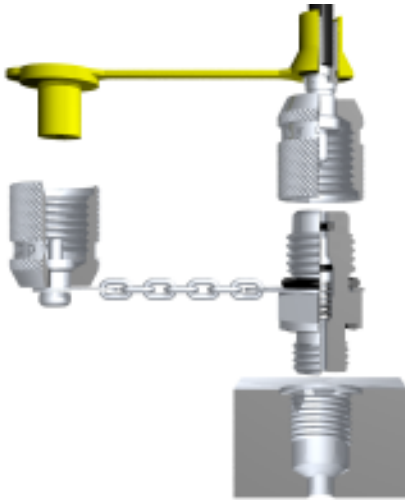
Hose: Polyamide (-35 °C to +100 °C); reinforcement: synthetic fibre

Surface:

CrVI-free.

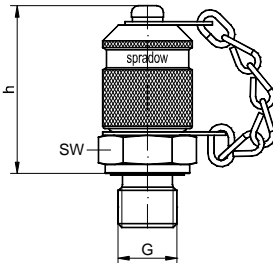
Pressure:

Max. working pressure of the test couplings - 630 bar, at 4-fold security. For the union pieces (type DKO, BE and GE) please observe the instructions given by the corresponding producer.



The complete Spradow hydraulic series M16x2 is also available with universal cap (type A) made of steel or plastic.

test coupling series: M16x2 – piston design



G	SW	h	sealing	part number (NBR)	part number (FKM)
M10x1	17	37	o-ring type 1	1-Z06-22-21-600-CF	1-Z06-22-22-600-CF
M12x1,5	17	39	soft sealing type 3	1-Z06-23-11-600-CF	1-Z06-23-12-600-CF
G 1/8	17	39	soft sealing type 3	1-Z06-28-11-600-CF	1-Z06-28-12-600-CF
G 1/4	19	38	metallic sealing type 2	1-Z06-29-30-600-CF	1-Z06-29-32-600-CF
G 1/4	19	37	soft sealing type 3	1-Z06-29-11-600-CF	1-Z06-29-12-600-CF
R 1/4 taper	17	35	thread type 4	1-Z06-34-00-600-CF	1-Z06-34-02-600-CF
7/16-20 UNF	17	38	o-ring type 5	1-Z06-39-30-600-CF	1-Z06-39-32-600-CF
1/4 NPT	19	35	thread type 4	1-Z06-44-00-600-CF	1-Z06-44-02-600-CF

metal cap type A (universal) with vibration security	1-Z06-xx-xx-590-CF	1-Z06-xx-x2-590-CF
metal cap type B (round) without vibration security	1-Z06-xx-xx-020-CF	1-Z06-xx-x2-020-CF
metal cap type A (universal) without vibration security	1-Z06-xx-xx-010-CF	1-Z06-xx-x2-010-CF
plastic cap type A (universal) yellow without vibration security	1-Z06-xx-xx-100-CF	1-Z06-xx-x2-100-CF

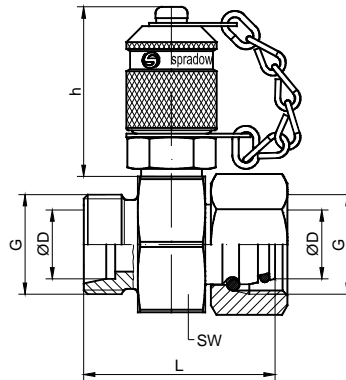
port connection and seals

type 1				type 2				type 3				type 4			type 5								
G	∅D	t1	t2	G	∅D	a	t1	t2	G	∅D	a	t1	t2	G	t1	t2	G	∅D1	∅D	a	t1	t2	
M 10x1	11,5	11	14	G 1/4	20	1,5	12	15,5	M12x1,5	18	1,5	12	15	1/4 NPT	10	16,4	7/16-20 UNF	21	12,4	2,4	11,5	14	
									G 1/8	15	1	8	10,5										
									G 1/4	20	1,5	12	15,5	R1/4 taper	8,2	13,5							

Other dimensions on request. We reserve the right to change the technical performance. All dimensions in mm.

M16x2-piston design

test coupling with combination-fitting (GEDKO)
series: M16x2 – piston design



type	PN	tube ØD	G	L	h	SW	part number (NBR)	part number (FKM)
L	315	6	M12x1,5				upon request	upon request
		8	M14x1,5				upon request	upon request
		10	M16x1,5				upon request	upon request
		12	M18x1,5	41	37	27	1-Z10-26-00-601-CF	1-Z10-26-02-601-CF
		15	M22x1,5	43	37	30	1-Z10-29-00-601-CF	1-Z10-29-02-601-CF
	160	18	M26x1,5				upon request	upon request
		22	M30x2				upon request	upon request
		28	M36x2				upon request	upon request
		35	M45x2				upon request	upon request
		42	M52x2				upon request	upon request
S	630	6	M14x1,5				upon request	upon request
		8	M16x1,5				upon request	upon request
		10	M18x1,5				upon request	upon request
		12	M20x1,5				upon request	upon request
		14	M22x1,5				upon request	upon request
	400	16	M26x1,5				upon request	upon request
		20	M30x2				upon request	upon request
		25	M36x2				upon request	upon request
		30	M45x2				upon request	upon request
		315	38	M52x2				upon request
metal cap type A (universal) with vibration security							1-Z10-xx-xx-590-CF	1-Z10-xx-x2-590-CF
metal cap type B (round) without vibration security							1-Z10-xx-xx-020-CF	1-Z10-xx-x2-020-CF
metal cap type A (universal) without vibration security							1-Z10-xx-xx-010-CF	1-Z10-xx-x2-010-CF
plastic cap type A (universal) yellow without vibration security							1-Z10-xx-xx-100-CF	1-Z10-xx-x2-100-CF