

Application:

Spradow test couplings are applied for the monitoring and control pressure as well as the ventilation. The advantages of this system are – among other – connection at system pressure level, the easy connection to measurement control and switching devices, the leakproof connection and the integrated vibration security of the metal cap.

Media:

Hydraulic oils and mineral based fluids.
(Please check compatibility of seal material.)
For nitrogen and other inert gases upon request.

Materials:

Metal parts: Steel, Stainless steel upon request
Seals: NBR (-20 °C to +100 °C)
FKM (-20 °C to +200 °C)
EPDM (-40 °C to +150 °C)
Hose: polyamide (-35 °C to +100 °C)

Surface:

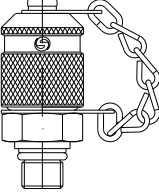
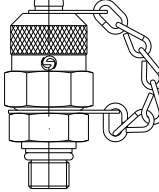
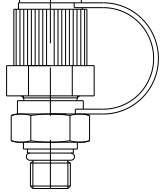
Zinc nickel, black, CrVI-free.

Pressure:

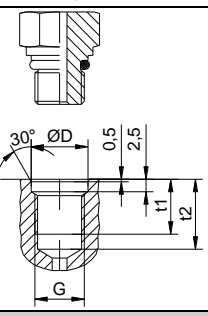
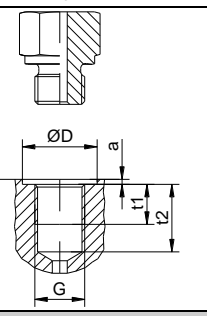
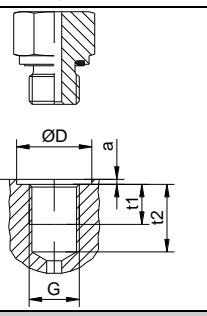
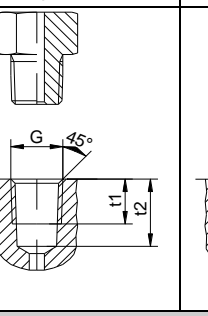
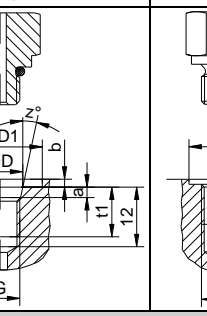

Maximum working pressure (PN) for the test couplings - 630 bar at 4-fold security. Connection under pressure up to 630 bar. For the union pieces please observe the instructions given by the corresponding producer.



design types of caps

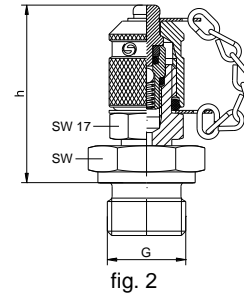
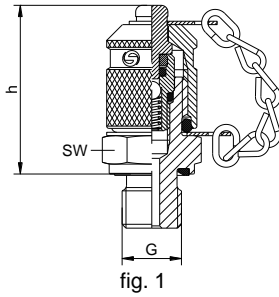
type B (round)	type A (universal)	type A (universal) plastic
		
standard: incl. vibration security		(temperature range -20°C to +100°C)

port connection and seals

type 1	type 2	type 3	type 4	type 5	type 6
					
Design types of port connection and seals please see annex.					

Other dimensions on request. We reserve the right to change the technical performance. All dimensions in mm.

test coupling series M16x1,5 – valve function by ball



G	PN	SW	h	fig.	sealing	part number (NBR)	part number (FKM)
M8x1	250	17	38	1	o-ring type 1	1-906-20-21-630	1-906-20-22-630
M8x1		17	38	1	metallic sealing type 2	1-906-20-30-630	1-906-20-32-630
M10x1	630	17	38	1	o-ring type 1	1-906-22-21-630	1-906-22-22-630
M10x1	400	17	38	1	metallic sealing type 2	1-906-22-30-630	1-906-22-32-630
M10x1	400	17	39	1	soft sealing type 3	1-906-22-11-630	1-906-22-12-630
M10x1		38	1		metallic sealing type 6	1-906-22-40-630	1-906-22-42-630
M10x1,25		38	1		o-ring type 1	1-906-49-21-630	1-906-49-22-630
M10x1,25		38	1		soft sealing type 3	1-906-49-11-630	1-906-49-12-630
M12x1,5	630	17	38	1	metallic sealing type 2	1-906-23-30-630	1-906-23-32-630
M12x1,5	630	17	39	1	soft sealing type 3	1-906-23-11-630	1-906-23-12-630
M14x1,5	630	19	37	1	metallic sealing type 2	1-906-24-30-630	1-906-24-32-630
M14x1,5	630	19	37	1	soft sealing type 3	1-906-24-11-630	1-906-24-12-630
M14x1,5	630	19	38	1	o-ring type 5	1-906-24-61-630	1-906-24-62-630
M16x1,5	630	22	37	1	metallic sealing type 2	1-906-25-30-630	1-906-25-32-630
M16x1,5	630	22	37	1	soft sealing type 3	1-906-25-11-630	1-906-25-12-630
M18x1,5	24	39	1		metallic sealing type 2	1-906-26-30-630	1-906-26-32-630
M18x1,5	24	39	1		soft sealing type 3	1-906-26-11-630	1-906-26-12-630
M20x1,5	27	39	1		metallic sealing type 2	1-906-51-30-630	1-906-51-32-630
M20x1,5	27	39	1		soft sealing type 3	1-906-51-11-630	1-906-51-11-630
M22x1,5	27	39	1		metallic sealing type 2	1-906-27-30-630	1-906-27-32-630
M22x1,5	27	39	1		soft sealing type 3	1-906-27-11-630	1-906-27-12-630
M26x1,5	32	49	2		metallic sealing type 2	1-911-52-30-630	1-911-52-32-630
M27x2	36	49	2		metallic sealing type 2	1-911-53-30-630	1-911-53-32-630
M33x2	41	49	2		metallic sealing type 2	1-911-54-30-630	1-911-54-32-630
M42x2	50	50	2		metallic sealing type 2	1-911-55-30-630	1-911-55-32-630
M48x2	60	50	2		metallic sealing type 2	1-911-56-30-630	1-911-56-32-630
G 1/8	400	17	38	1	metallic sealing type 2	1-906-28-30-630	1-906-28-32-630
G 1/8	400	17	39	1	soft sealing type 3	1-906-28-11-630	1-906-28-12-630
G 1/4	630	19	37	1	metallic sealing type 2	1-906-29-30-630	1-906-29-32-630
G 1/4	630	19	37	1	soft sealing type 3	1-906-29-11-630	1-906-29-12-630
G 1/4		37	1		metallic sealing type 6	1-906-29-40-630	1-906-29-42-630
G 3/8	630	22	37	1	metallic sealing type 2	1-906-30-30-630	1-906-30-32-630
G 3/8	630	22	37	1	soft sealing type 3	1-906-30-11-630	1-906-30-12-630
G 1/2		39	1		metallic sealing type 2	1-906-31-30-630	1-906-31-32-630
G 1/2	630	27	39	1	soft sealing type 3	1-906-31-11-630	1-906-31-12-630
G 3/4		40	1		metallic sealing type 2	1-906-32-30-630	1-906-32-32-630
G 1		48	2		metallic sealing type 2	1-911-57-30-630	1-911-57-32-630
G 1 1/4		50	2		metallic sealing type 2	1-911-58-30-630	1-911-58-32-630
G 1 1/2		60	2		metallic sealing type 2	1-911-59-30-630	1-911-59-32-630
Rk 1/8*	400	17	36	1	thread type 4	1-906-33-00-630	1-906-33-02-630
Rk 1/4*	630	17	35	1	thread type 4	1-906-34-00-630	1-906-34-02-630
Rk 3/8*		19	35	1	thread type 4	1-906-35-00-630	1-906-35-02-630
5/16-24 UNF	400	17	38	1	o-ring type 5	1-906-38-30-630	1-906-38-32-630
7/16-20 UNF	630	17	38	1	o-ring type 5	1-906-39-30-630	1-906-39-32-630
1/2-20 UNF	630	17	38	1	o-ring type 5	1-906-61-30-630	1-906-61-32-630
9/16-18 UNF	630	19	38	1	o-ring type 5	1-906-40-30-630	1-906-40-32-630
3/4-16 UNF	630	27	40	1	o-ring type 5	1-906-41-30-630	1-906-41-32-630
1/8 NPT	400	17	36	1	thread type 4	1-906-43-00-630	1-906-43-02-630
1/4 NPT	630	17	35	1	thread type 4	1-906-44-00-630	1-906-44-02-630
3/8 NPT		36	1		thread type 4	1-906-45-00-630	1-906-45-02-630
1/2 NPT		37	1		thread type 4	1-906-46-00-630	1-906-46-02-630

For metal cap type A (universal) with vibration security replace 630 by 620
 For metal cap type B (round) **without vibration security** replace 630 by 050
 For metal cap type A (universal) **without vibration security** replace 630 by 040
 For yellow plastic cap type A (universal) **without vibration security** replace 630 by 110

*acc. DIN 3858

fitting with test coupling series M16x1,5 – valve function by ball

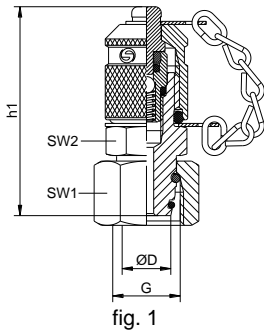


fig. 1

type DKO

test coupling with 24° taper adaptor (DIN3865 / ISO8434-1)

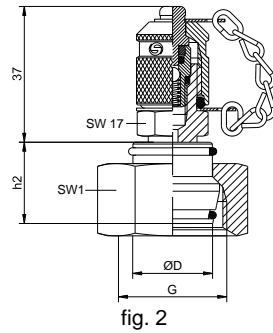


fig. 2

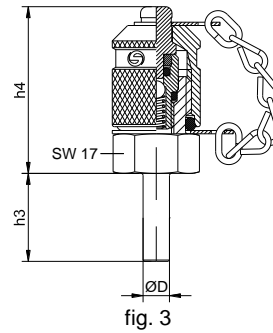


fig. 3

type BE

test coupling for compression ring fittings

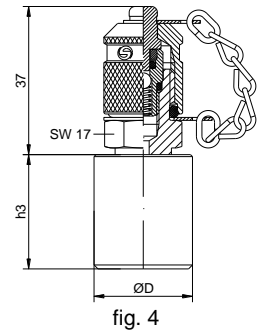


fig. 4

type	PN	tube ØD	h1	h2	h3	h4	SW1	SW2	G	type DKO part number	fig.	type BE part number	fig.
L	315	6	53	-	20	39	14	17	M12x1,5	1-908-00-10-630	1	1-909-00-00-631	3
		8	53	-	20	39	17	17	M14x1,5	1-908-02-10-630	1	1-909-02-00-631	3
		10	50	-	22	37	19	17	M16x1,5	1-908-04-10-630	1	1-909-04-00-631	3
		12	50	-	22	37	22	17	M18x1,5	1-908-06-10-630	1	1-909-06-00-631	3
		15	51	-	22	37	27	19	M22x1,5	1-908-09-00-630	1	1-909-09-00-631	3
	160	18	-	22	28	-	32	-	M26x1,5	1-908-11-00-630	2	1-909-11-00-631	4
		22	-	22	30	-	36	-	M30x2	1-908-13-00-630	2	1-909-13-00-631	4
		28	-	24	32	-	41	-	M36x2	1-908-15-00-630	2	1-909-15-00-631	4
		35	-	27	42	-	50	-	M45x2	1-908-17-00-630	2	1-909-17-00-631	4
		42	-	28	45	-	60	-	M52x2	1-908-19-00-630	2	1-909-19-00-631	4
S	630	6	54	-	20	39	17	17	M14x1,5	1-908-01-10-630	1	1-909-00-00-631	3
		8	51	-	20	39	19	17	M16x1,5	1-908-03-10-630	1	1-909-02-00-631	3
		10	51	-	22	37	22	17	M18x1,5	1-908-05-10-630	1	1-909-04-00-631	3
		12	51	-	22	37	24	17	M20x1,5	1-908-07-10-630	1	1-909-06-00-631	3
		14	-	20	22	37	27	-	M22x1,5	1-908-08-00-630	2	1-909-08-00-631	3
	400	16	-	20	28	37	30	-	M24x1,5	1-908-10-00-630	2	1-909-10-00-631	3
		20	-	25	30	-	36	-	M30x2	1-908-12-00-630	2	1-909-12-00-631	4
		25	-	27	36	-	46	-	M36x2	1-908-14-00-630	2	1-909-14-00-631	4
		30	-	29	41	-	50	-	M42x2	1-908-16-00-630	2	1-909-16-00-631	4
		315	38	-	32	48	-	60	-	M52x2	1-908-18-00-630	2	1-909-18-00-631

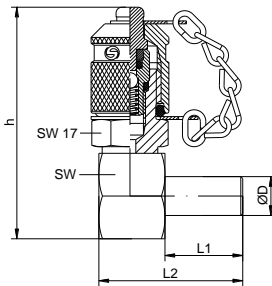
For metal cap type A (universal) with vibration security
 For metal cap type B (round) **without vibration security**
 For metal cap type A (universal) **without vibration security**
 For yellow plastic cap type A (universal) **without vibration security**

Design with sealings made of FKM

replace 630 by 620
 replace 630 by 050
 replace 630 by 040
 replace 630 by 110
 replace 10-630 by 12-630 or
 replace 00-630 by 02-630

replace 631 by 621
 replace 631 by 051
 replace 631 by 041
 replace 631 by 111
 replace 00-631 by 02-631

90° fitting type BE with test coupling series M16x1,5 – valve function by ball



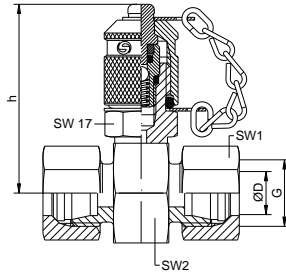
tube ØD	L1	L2	SW	h	part number (NBR)	part number (FKM)
8	20	37	22	59	1-980-03-63-080	1-980-03-63-081
10	20	37	22	59	1-980-05-63-120	1-980-05-63-121

For metal cap type A (universal) with vibration security
 For metal cap type B (round) **without vibration security**
 For metal cap type A (universal) **without vibration security**
 For yellow plastic cap type A (universal) **without vibration security**

replace 63 by 62
 replace 63 by 05
 replace 63 by 04
 replace 63 by 11
 replace 63 by 62
 replace 63 by 05
 replace 63 by 04
 replace 63 by 11

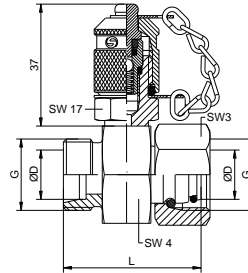
Other dimensions on request. We reserve the right to change the technical performance. All dimensions in mm.

fitting with test coupling
series M16x1,5 – valve function by ball



type GE

(DIN2353 / ISO8434-1 und -4)



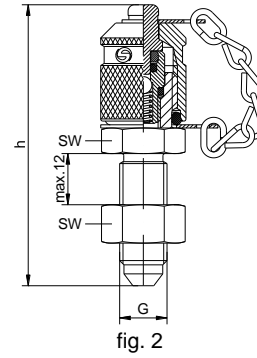
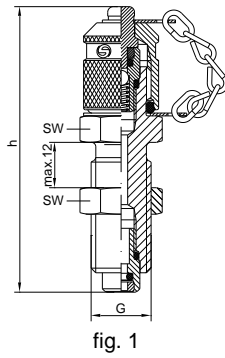
type DKOGE

(DIN2353 / ISO8434-1 und -4)

type	PN	tube ØD	G	SW1	SW2	h	L	SW3	SW4	type GE part number	type DKOGE part number
L	315	6	M12x1,5	14	22	48	43	14	24	1-910-00-00-630	1-910-20-00-631
		8	M14x1,5	17	24	49	43	17	24	1-910-02-00-630	1-910-22-00-631
		10	M16x1,5	19	24	49	45	19	24	1-910-04-00-630	1-910-24-00-631
		12	M18x1,5	22	27	51	41	22	27	1-910-06-00-630	1-910-26-00-631
		15	M22x1,5	27	30	53	43	27	30	1-910-09-00-630	1-910-29-00-631
	160	18	M26x1,5	32	32	53	54	32	32	1-910-11-00-630	1-910-31-00-631
		22	M30x2	36	36	55	57	36	36	1-910-13-00-630	1-910-33-00-631
		28	M36x2	41	41	58		upon request		1-910-15-00-630	1-910-35-00-631
		35	M45x2	50	46	60		upon request		1-910-17-00-630	1-910-37-00-631
		42	M52x2	60	55	65		upon request		1-910-19-00-630	1-910-39-00-631
S	630	6	M14x1,5	17	24	49	46	17	24	1-910-01-00-630	1-910-21-00-631
		8	M16x1,5	19	24	49	47	19	24	1-910-03-00-630	1-910-23-00-631
		10	M18x1,5	22	24	49	48	22	24	1-910-05-00-630	1-910-25-00-631
		12	M20x1,5	24	24	49	47	24	24	1-910-07-00-630	1-910-27-00-631
		14	M22x1,5	27	27	51	50	27	27	1-910-08-00-630	1-910-28-00-631
	400	16	M24x1,5	30	30	52	55	30	30	1-910-10-00-630	1-910-30-00-631
		20	M30x2	36	32	53	62	36	36	1-910-12-00-630	1-910-32-00-631
		25	M36x2	46	41	58	62	46	41	1-910-14-00-630	1-910-34-00-631
		30	M42x2	50	46	60		upon request		1-910-16-00-630	1-910-36-00-631
		35	M52x2	60	55	65		upon request		1-910-18-00-630	1-910-38-00-631

For metal cap type A (universal) with vibration security	replace 630 by 620	631 by 621
For metal cap type B (round) without vibration security	replace 630 by 050	631 by 051
For metal cap type A (universal) without vibration security	replace 630 by 040	631 by 041
For yellow plastic cap type A (universal) without vibration security	replace 630 by 110	631 by 111
Design with sealings made of FKM	replace 00-630 by 02-630	00-631 by 02-631

bulkhead coupling series M16x1,5 – valve function by ball



G	SW	h	fig.	part number (NBR)	part number (FKM)
M16x2	19	72	1	1-980-48-63-040	upon request
7/16-20 UNF	17	67	2	upon request	upon request
For metal cap type A (universal) with vibration security 63 by				62	62
For metal cap type B (round) without vibration security 63 by				05	05
For metal cap type A (universal) without vibration security 63 by				04	04
For metal cap type A (universal) without vibration security 63 by				11	11

Application:

Spradow test couplings are applied for the monitoring and control pressure as well as the ventilation. The advantages of this system are – among other – connection at system pressure level, the easy connection to measurement control and switching devices, the leakproof connection and the integrated vibration security of the metal cap.

Media:

Hydraulic oils and mineral based fluids.
(Please check compatibility of seal material.)
For nitrogen and other inert gases upon request.

Materials:

Metal parts: Steel, Stainless steel upon request
Seals: NBR (-20 °C to +100 °C)
FKM (-20 °C to +200 °C)
EPDM (-40 °C to +150 °C)
Hose: polyamide (-35 °C to +100 °C)

Surface:

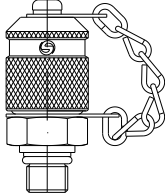
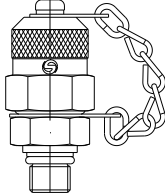
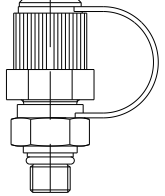
Zinc nickel, black, CrVI-free

Pressure:

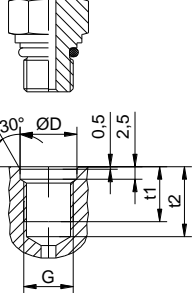
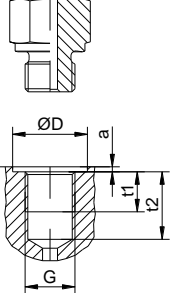
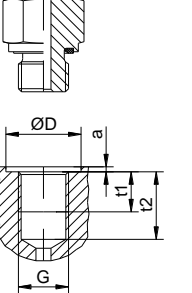
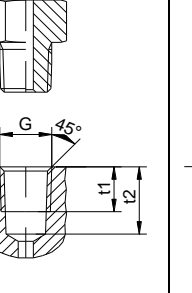
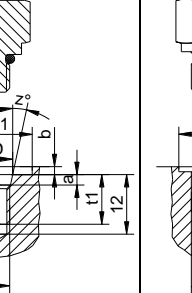
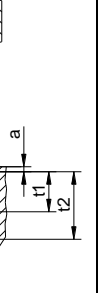
Maximal working pressure (PN) of the test couplings – 630 bar, at 4-fold security. Connection under pressure up to 630 bar.
For the union pieces please observe the instructions given by the corresponding producer.



design types of caps

type B (round)	type A (universal)	type A (universal) plastic
		
standard: incl. vibration security		(temperature range -20°C to +100°C)

port connection and seals

type 1	type 2	type 3	type 4	type 5	type 6
					
Design types of port connection and seals please see annex.					

Other dimensions on request. We reserve the right to change the technical performance. All dimensions in mm.

test coupling series M16x1,5 – valve function by piston

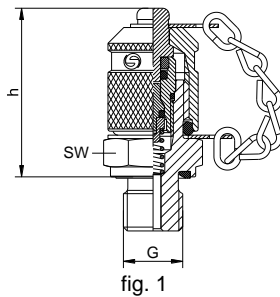


fig. 1

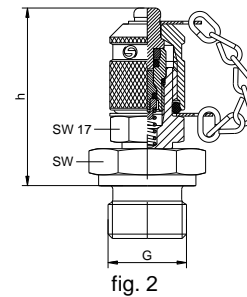


fig. 2

G	PN	SW	h	fig.	sealing	part number (NBR)	part number (FKM)
M8x1	250	17	38	1	o-ring type 1	1-Z06-20-21-630	1-Z06-20-22-630
M8x1	17	38	1		metallic sealing type 2	1-Z06-20-30-630	1-Z06-20-32-630
M10x1	630	17	38	1	o-ring type 1	1-Z06-22-21-630	1-Z06-22-22-630
M10x1	400	17	38	1	metallic sealing type 2	1-Z06-22-30-630	1-Z06-22-32-630
M10x1	400	17	39	1	soft sealing type 3	1-Z06-22-11-630	1-Z06-22-12-630
M10x1	17	38	1		metallic sealing type 6	1-Z06-22-40-630	1-Z06-22-42-630
M10x1,25	17	38	1		o-ring type 1	1-Z06-49-21-630	1-Z06-49-22-630
M10x1,25	17	38	1		soft sealing type 3	1-Z06-49-11-630	1-Z06-49-12-630
M12x1,5	630	17	38	1	metallic sealing type 2	1-Z06-23-30-630	1-Z06-23-32-630
M12x1,5	630	17	39	1	soft sealing type 3	1-Z06-23-11-630	1-Z06-23-12-630
M14x1,5	630	19	37	1	metallic sealing type 2	1-Z06-24-30-630	1-Z06-24-32-630
M14x1,5	630	19	37	1	soft sealing type 3	1-Z06-24-11-630	1-Z06-24-12-630
M14x1,5	630	19	38	1	o-ring type 5	1-Z06-24-61-630	1-Z06-24-62-630
M16x1,5	630	22	37	1	metallic sealing type 2	1-Z06-25-30-630	1-Z06-25-32-630
M16x1,5	630	22	37	1	soft sealing type 3	1-Z06-25-11-630	1-Z06-25-12-630
M18x1,5	24	39	1		metallic sealing type 2	1-Z06-26-30-630	1-Z06-26-32-630
M18x1,5	24	39	1		soft sealing type 3	1-Z06-26-11-630	1-Z06-26-12-630
M20x1,5	27	39	1		metallic sealing type 2	1-Z06-51-30-630	1-Z06-51-32-630
M20x1,5	27	39	1		soft sealing type 3	1-Z06-51-11-630	1-Z06-51-12-630
M22x1,5	27	39	1		metallic sealing type 2	1-Z06-27-30-630	1-Z06-27-32-630
M22x1,5	27	39	1		soft sealing type 3	1-Z06-27-11-630	1-Z06-27-12-630
M26x1,5	32	49	2		metallic sealing type 2	1-Z11-52-30-630	1-Z11-52-32-630
M27x2	36	49	2		metallic sealing type 2	1-Z11-53-30-630	1-Z11-53-32-630
M33x2	41	49	2		metallic sealing type 2	1-Z11-54-30-630	1-Z11-54-32-630
M42x2	50	50	2		metallic sealing type 2	1-Z11-55-30-630	1-Z11-55-32-630
M48x2	60	50	2		metallic sealing type 2	1-Z11-56-30-630	1-Z11-56-32-630
G 1/8	400	17	38	1	metallic sealing type 2	1-Z06-28-30-630	1-Z06-28-32-630
G 1/8	400	17	39	1	soft sealing type 3	1-Z06-28-11-630	1-Z06-28-12-630
G 1/4	630	19	37	1	metallic sealing type 2	1-Z06-29-30-630	1-Z06-29-32-630
G 1/4	630	19	37	1	soft sealing type 3	1-Z06-29-11-630	1-Z06-29-12-630
G 1/4	19	37	1		metallic sealing type 6	1-Z06-29-40-630	1-Z06-29-42-630
G 3/8	630	22	37	1	metallic sealing type 2	1-Z06-30-30-630	1-Z06-30-32-630
G 3/8	630	22	37	1	soft sealing type 3	1-Z06-30-11-630	1-Z06-30-12-630
G 1/2	27	39	1		metallic sealing type 2	1-Z06-31-30-630	1-Z06-31-32-630
G 1/2	630	27	39	1	soft sealing type 3	1-Z06-31-11-630	1-Z06-31-12-630
G 3/4	32	40	1		metallic sealing type 2	1-Z06-32-30-630	1-Z06-32-32-630
G 1	41	48	2		metallic sealing type 2	1-Z11-57-30-630	1-Z11-57-32-630
G 1 1/4	50	50	2		metallic sealing type 2	1-Z11-58-30-630	1-Z11-58-32-630
G 1 1/2	60	50	2		metallic sealing type 2	1-Z11-59-30-630	1-Z11-59-32-630
Rk 1/8*	400	17	36	1	thread type 4	1-Z06-33-00-630	1-Z06-33-02-630
Rk 1/4*	630	17	35	1	thread type 4	1-Z06-34-00-630	1-Z06-34-02-630
Rk 3/8*	19	35	1		thread type 4	1-Z06-35-00-630	1-Z06-35-02-630
5/16-24 UNF	400	17	38	1	o-ring type 5	1-Z06-38-30-630	1-Z06-38-32-630
7/16-20 UNF	630	17	38	1	o-ring type 5	1-Z06-39-30-630	1-Z06-39-32-630
1/2-20 UNF	630	17	38	1	o-ring type 5	1-Z06-61-30-630	1-Z06-61-32-630
9/16-18 UNF	630	19	38	1	o-ring type 5	1-Z06-40-30-630	1-Z06-40-32-630
3/4-16 UNF	630	27	40	1	o-ring type 5	1-Z06-41-30-630	1-Z06-41-32-630
1/8 NPT	400	17	36	1	thread type 4	1-Z06-43-00-630	1-Z06-43-02-630
1/4 NPT	630	17	35	1	thread type 4	1-Z06-44-00-630	1-Z06-44-02-630
3/8 NPT	19	36	1		thread type 4	1-Z06-45-00-630	1-Z06-45-02-630
1/2 NPT	22	37	1		thread type 4	1-Z06-46-00-630	1-Z06-46-02-630
For metal cap type A (universal) with vibration security, replace 630 by						620	620
For metal cap type B (round) without vibration security , replace 630 by						050	050
For metal cap type A (universal) without vibration security , replace 630 by						040	040
For yellow plastic cap type A (universal) without vibration security , replace 630 by						110	110

*acc. DIN 3858

Other dimensions on request. We reserve the right to change the technical performance. All dimensions in mm.

fittings with test coupling series M16x1,5 – valve function by piston

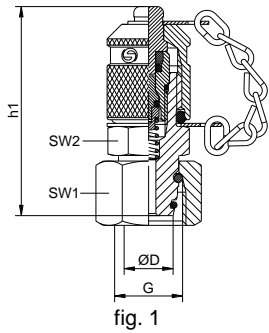


fig. 1

type DKO

test coupling with 24° taper adapter (DIN3865 / ISO8434-1)

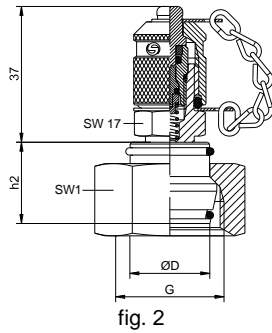


fig. 2

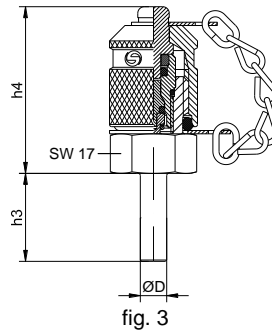


fig. 3

type BE

test coupling for compression ring fittings

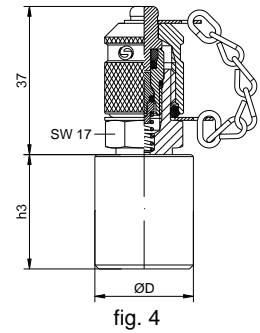


fig. 4

type	PN	tube ØD	h1	h2	h3	h4	SW1	SW2	G	type DKO part number	fig.	type BE part number	fig.
L	315	6	53	-	20	39	14	17	M12x1,5	1-Z08-00-10-630	1	1-Z09-00-00-631	3
		8	53	-	20	39	17	17	M14x1,5	1-Z08-02-10-630	1	1-Z09-02-00-631	3
		10	50	-	22	37	19	17	M16x1,5	1-Z08-04-10-630	1	1-Z09-04-00-631	3
		12	50	-	22	37	22	17	M18x1,5	1-Z08-06-10-630	1	1-Z09-06-00-631	3
		15	51	-	22	37	27	19	M22x1,5	1-Z08-09-00-630	1	1-Z09-09-00-631	3
	160	18	-	22	28	-	32	-	M26x1,5	1-Z08-11-00-630	2	1-Z09-11-00-631	4
		22	-	22	30	-	36	-	M30x2	1-Z08-13-00-630	2	1-Z09-13-00-631	4
		28	-	24	32	-	41	-	M36x2	1-Z08-15-00-630	2	1-Z09-15-00-631	4
		35	-	27	42	-	50	-	M45x2	1-Z08-17-00-630	2	1-Z09-17-00-631	4
		42	-	28	45	-	60	-	M52x2	1-Z08-19-00-630	2	1-Z09-19-00-631	4
S	630	6	54	-	20	39	17	17	M14x1,5	1-Z08-01-10-630	1	1-Z09-00-00-631	3
		8	51	-	20	39	19	17	M16x1,5	1-Z08-03-10-630	1	1-Z09-02-00-631	3
		10	51	-	22	37	22	17	M18x1,5	1-Z08-05-10-630	1	1-Z09-04-00-631	3
		12	51	-	22	37	24	17	M20x1,5	1-Z08-07-10-630	1	1-Z09-06-00-631	3
		14	-	20	22	37	27	-	M22x1,5	1-Z08-08-00-630	2	1-Z09-08-00-631	3
	400	16	-	20	28	37	30	-	M24x1,5	1-Z08-10-00-630	2	1-Z09-10-00-631	3
		20	-	25	30	-	36	-	M30x2	1-Z08-12-00-630	2	1-Z09-12-00-631	4
		25	-	27	36	-	46	-	M36x2	1-Z08-14-00-630	2	1-Z09-14-00-631	4
		30	-	29	41	-	50	-	M42x2	1-Z08-16-00-630	2	1-Z09-16-00-631	4
		315	38	-	32	48	-	60	-	M52x2	1-Z08-18-00-630	2	1-Z09-18-00-631

For metal cap type A (universal) with vibration security
 For metal cap type B (round) **without vibration security**
 For metal cap type A (universal) **without vibration security**
 For yellow plastic cap type A (universal) **without vibration security**

Design with sealings made of FKM

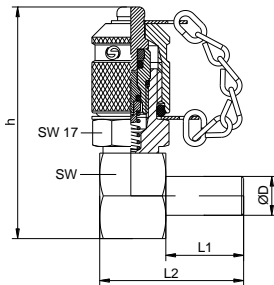
replace 630 by 620
 replace 630 by 050
 replace 630 by 040
 replace 630 by 110

replace 10-630 by 12-630 or
 00-630 by 02-630

replace 631 by 621
 replace 631 by 051
 replace 631 by 041
 replace 631 by 111

replace 00-631 by 02-631

90° fitting type BE with test coupling series M16x1,5 – valve function by piston

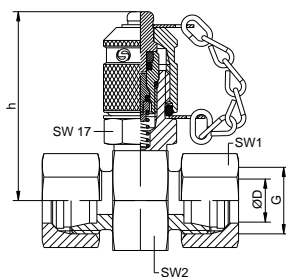


tube ØD	L1	L2	SW	h	part number (NBR)	part number (FKM)
8	20	37	22	59	1-Z80-03-63-080	1-Z80-03-63-081
10	20	37	22	59	1-Z80-05-63-120	1-Z80-05-63-121

For metal cap type A (universal) with vibration security replace 63 by 62
 For metal cap type B (round) **without vibration security** replace 63 by 05
 For metal cap type A (universal) **without vibration security** replace 63 by 04
 For yellow plastic cap type A (universal) **without vibration security** replace 63 by 11

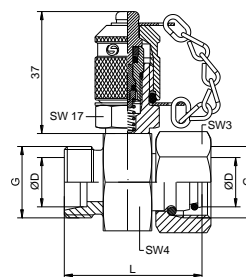
62
 05
 04
 11

fitting with test coupling series M16x1,5 – valve function by piston



type GE

(DIN2353 / ISO8434-1 and -4)



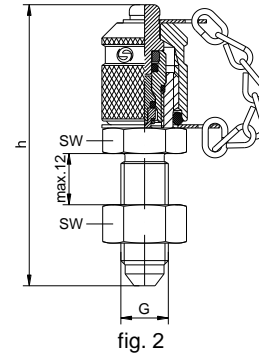
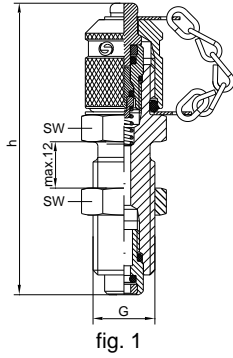
type DKOGE

(DIN2353 / ISO8434-1 and -4)

type	PN	tube ØD	G	SW1	SW2	h	L	SW3	SW4	type GE part number	type DKOGE part number
L	315	6	M12x1,5	14	22	48	43	14	24	1-Z10-00-00-630	1-Z10-20-00-631
		8	M14x1,5	17	24	49	43	17	24	1-Z10-02-00-630	1-Z10-22-00-631
		10	M16x1,5	19	24	49	45	19	24	1-Z10-04-00-630	1-Z10-24-00-631
		12	M18x1,5	22	27	51	41	22	27	1-Z10-06-00-630	1-Z10-26-00-631
		15	M22x1,5	27	30	53	43	27	30	1-Z10-09-00-630	1-Z10-29-00-631
	160	18	M26x1,5	32	32	53	54	32	32	1-Z10-11-00-630	1-Z10-31-00-631
		22	M30x2	36	36	55	57	36	36	1-Z10-13-00-630	1-Z10-33-00-631
		28	M36x2	41	41	58		upon request		1-Z10-15-00-630	1-Z10-35-00-631
		35	M45x2	50	46	60		upon request		1-Z10-17-00-630	1-Z10-37-00-631
	42	M52x2	60	55	65		upon request		1-Z10-19-00-630	1-Z10-39-00-631	
S	630	6	M14x1,5	17	24	49	46	17	24	1-Z10-01-00-630	1-Z10-21-00-631
		8	M16x1,5	19	24	49	47	19	24	1-Z10-03-00-630	1-Z10-23-00-631
		10	M18x1,5	22	24	49	48	22	24	1-Z10-05-00-630	1-Z10-25-00-631
		12	M20x1,5	24	24	49	47	24	24	1-Z10-07-00-630	1-Z10-27-00-631
		14	M22x1,5	27	27	51	50	27	27	1-Z10-08-00-630	1-Z10-28-00-631
	400	16	M24x1,5	30	30	52	55	30	30	1-Z10-10-00-630	1-Z10-30-00-631
		20	M30x2	36	32	53	62	36	36	1-Z10-12-00-630	1-Z10-32-00-631
		25	M36x2	46	41	58	62	46	41	1-Z10-14-00-630	1-Z10-34-00-631
		30	M42x2	50	46	60		upon request		1-Z10-16-00-630	1-Z10-36-00-631
		315	38	M52x2	60	55	65		upon request		1-Z10-18-00-630
For metal cap type A (universal) with vibration security For metal cap type B (round) without vibration security For metal cap type A (universal) without vibration security For yellow plastic cap type A (universal) without vibration security Design with sealings made of FKM										replace 630 by 620	replace 631 by 621
										replace 630 by 050	replace 631 by 051
										replace 630 by 040	replace 631 by 041
										replace 630 by 110	replace 631 by 111
										replace 00-630 by 02-630	replace 00-631 by 02-631

Other dimensions on request. We reserve the right to change the technical performance. All dimensions in mm.

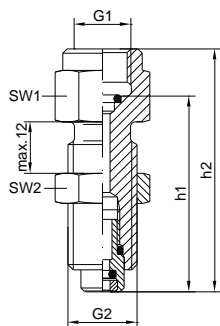
bulkhead coupling series M16x1,5 – valve function by piston



G	SW	h	fig.	part number (NBR)	part number (FKM)
M16x2	19	72	1	1-Z80-48-63-040	upon request
7/16-20 UNF	17	67	2	upon request	upon request
For metal cap type A (universal) with vibration security replace 63 by				62	62
For metal cap type B (round) without vibration security replace 63 by				05	05
For metal cap type A (universal) without vibration security replace 63 by				04	04
For yellow plastic cap type A (universal) without vibration security replace 63 by				11	11

M16x1,5 - Anschlüsse und Adapter

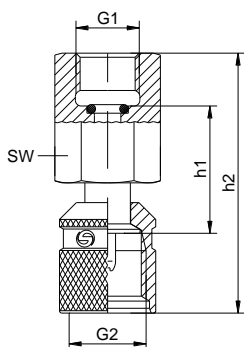
bulkhead pressure gauge connector series M16x1,5 – without valve function



G1	SW1	SW2	h1	h2	G2	sealing	part number (NBR)	part number (FKM)
G 1/4	19	19	46	57	M16x1,5	o-ring	1-918-29-01-250	1-918-29-21-250
G 1/2	27	24	49	66	M16x1,5	o-ring	1-918-31-01-250	1-918-31-21-250

For design with damping element replace 918 by 930 930 930

direct pressure gauge connector series M16x1,5 – without valve function



G1	SW	h1	h2	G2	sealing	part number (NBR)	part number (FKM)
G 1/4	19	27	54	M16x1,5	o-ring	1-927-29-01-050	1-927-29-21-050
G 1/2	27	25	58	M16x1,5	o-ring	1-927-31-01-050	1-927-31-21-050
1/4 NPT	19	-	53	M16x1,5	thread	1-927-44-00-050	1-927-44-20-050

For metal cap type A (universal) replace 050 by 040 040 040
For design with damping element replace 927 by 929 929 929

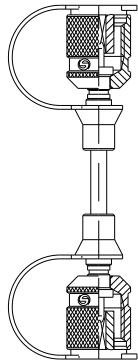
high pressure hose

Max. working pressure:
up to 630 bar

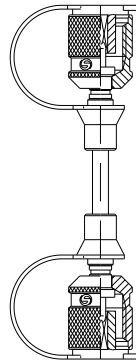
Pressure / t° factor:
at 20°C 100%
at 40°C 95%
at 60°C 90%
at 80°C 80%
at 100°C 70%

Further details please see
section hoses and con-
nectors

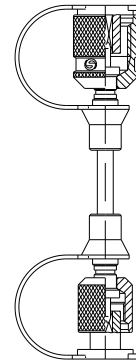
series M16x1,5



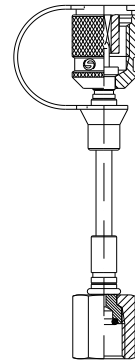
series M16x1,5



series M16x1,5



series M16x1,5



series M16x1,5

series M16x2

series S12x1,5

pressure gauge
connector G 1/4 ²⁾

length L ¹⁾ acc. DIN 20066	part number			
200	1-971-10-10-010	1-971-04-10-010	1-971-10-12-010	1-971-02-10-010
400	1-971-10-10-040	1-971-04-10-040	1-971-10-12-040	1-971-02-10-040
630	1-971-10-10-060	1-971-04-10-060	1-971-10-12-060	1-971-02-10-060
800	1-971-10-10-080	1-971-04-10-080	1-971-10-12-080	1-971-02-10-080
1000	1-971-10-10-090	1-971-04-10-090	1-971-10-12-090	1-971-02-10-090
1500	1-971-10-10-100	1-971-04-10-100	1-971-10-12-100	1-971-02-10-100
2000	1-971-10-10-110	1-971-04-10-110	1-971-10-12-110	1-971-02-10-110
2500	1-971-10-10-120	1-971-04-10-120	1-971-10-12-120	1-971-02-10-120
3200	1-971-10-10-130	1-971-04-10-130	1-971-10-12-130	1-971-02-10-130
4000	1-971-10-10-140	1-971-04-10-140	1-971-10-12-140	1-971-02-10-140

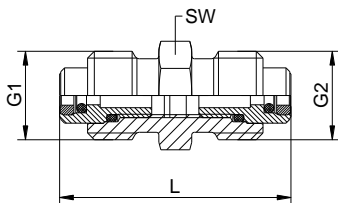
¹⁾ Other lengths upon request

Further connectors please see chapter
hoses and connectors

²⁾ Connection thread G¹/₂,
¹/₄ NPT and ¹/₂ NPT upon request.

The information on the definition of the hose assembly lengths, please see the annex.

hose connector series M16x1,5 – without valve function



G1	SW	L	G2	part number (NBR)	part number (FKM)
M16x2	17	42	M16x1,5	1-980-48-00-030	upon request
M16x1,5	17	42	M16x1,5	1-980-25-00-030	upon request